

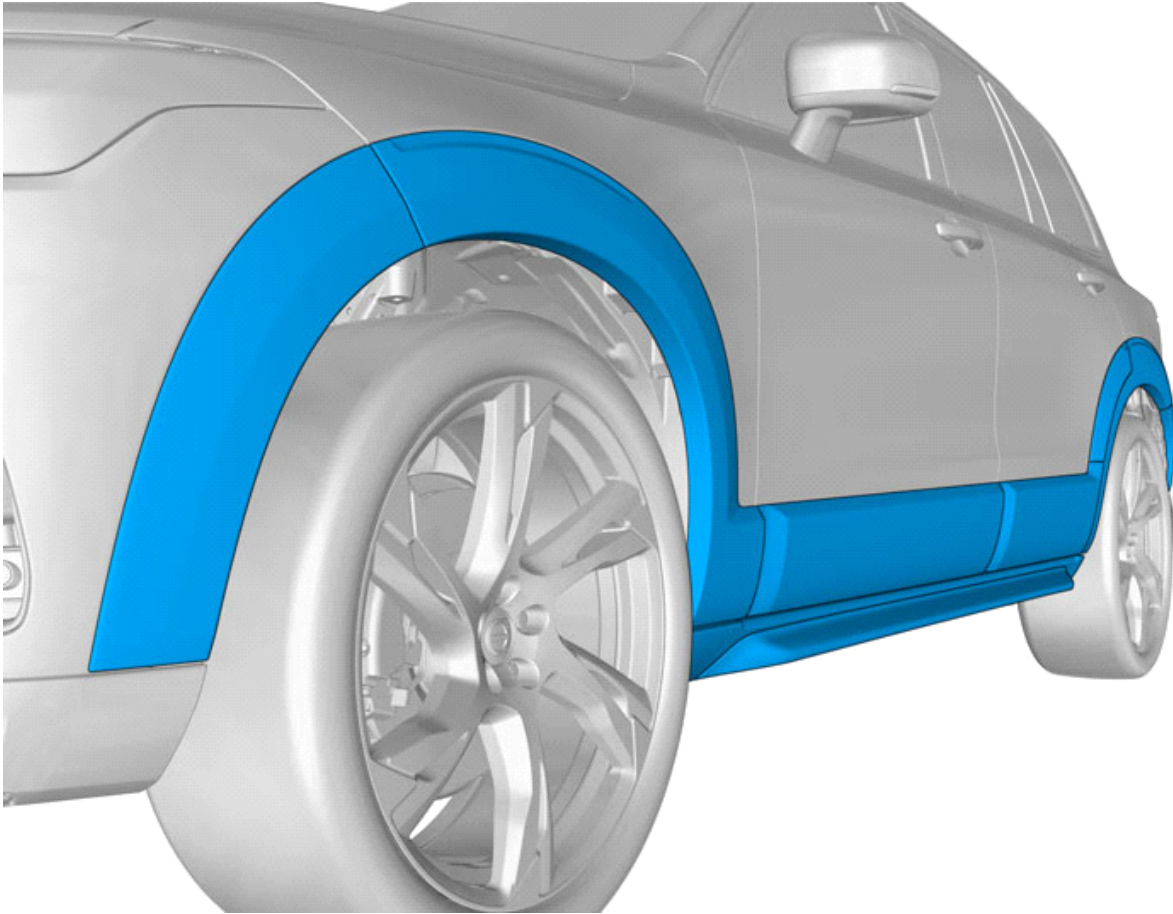


# Installation instructions, accessories

Volvo Car Corporation Gothenburg, Sweden

Instruction No	Version	Part. No.
31399038	1.5	39836725, 39836730, 39836755, 39836775, 39836780, 39836785, 31439073, 39836735, 39836740, 39836745, 39836750, 39836765, 39836770

## Side decor kit, Sill moulding



IMG-383247



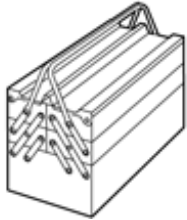
# Installation instructions, accessories

Volvo Car Corporation Gothenburg, Sweden

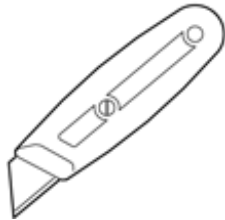
## Materials

Designation	Part number
Cleaning agent	1161721

## Equipment



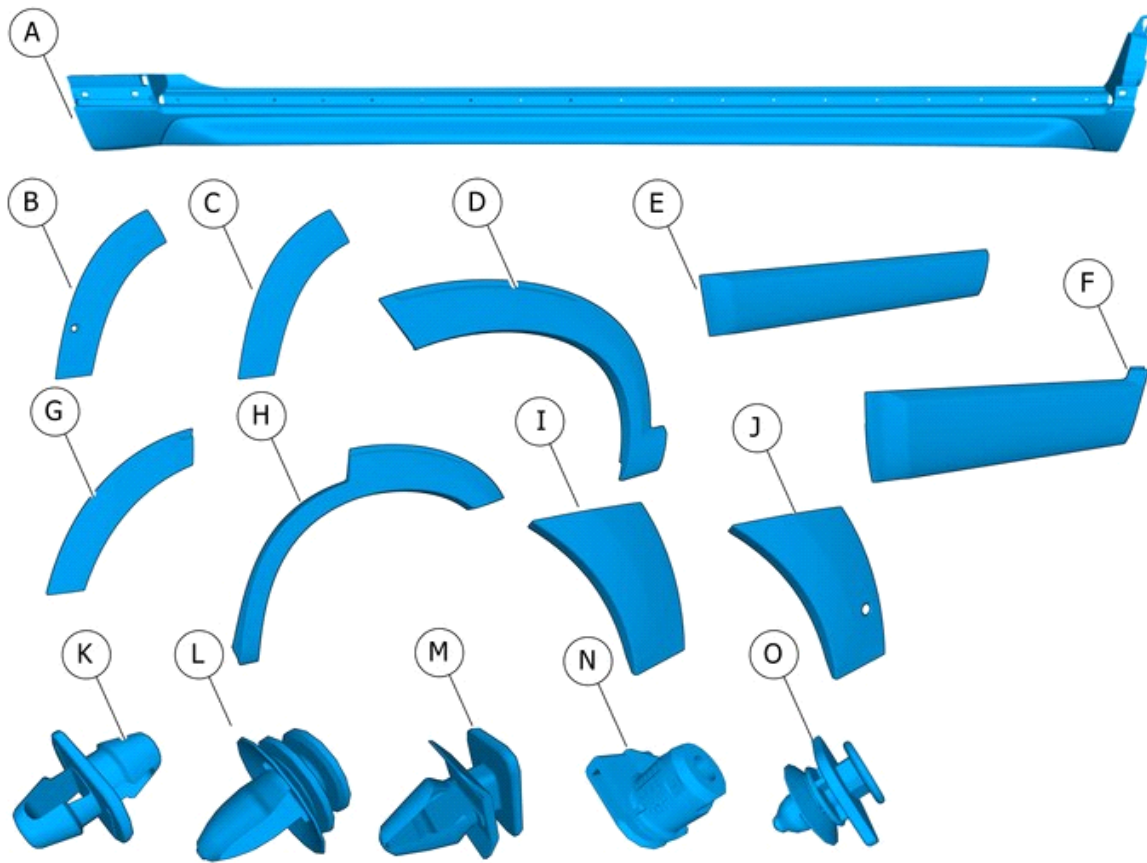
IMG-345497



IMG-239980



IMG-268803

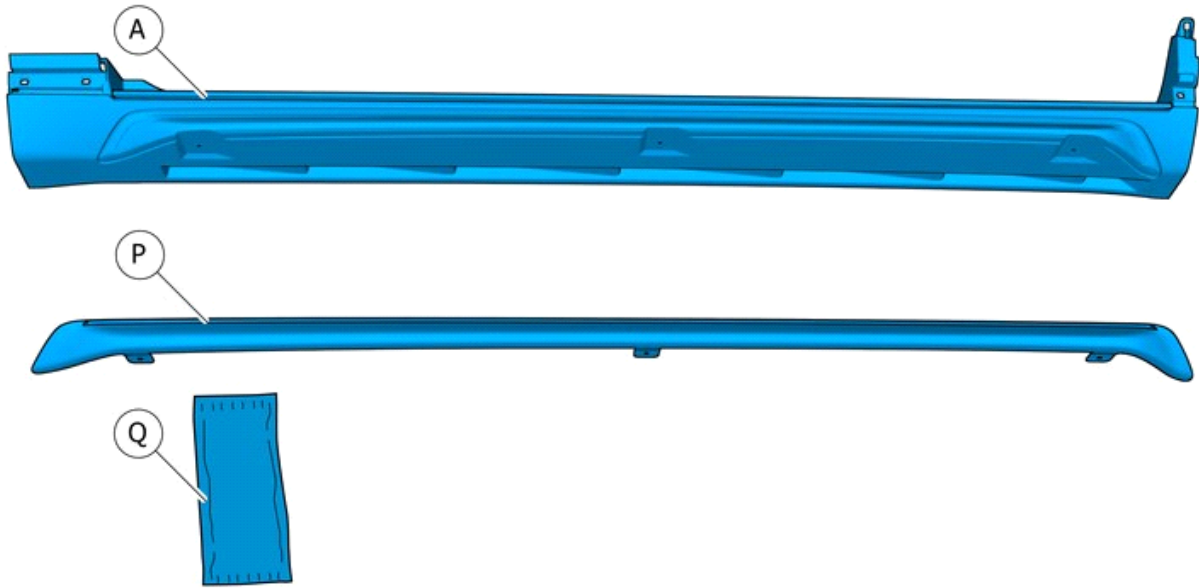


IMG-393625



# Installation instructions, accessories

Volvo Car Corporation Gothenburg, Sweden



IMG-404230



# Installation instructions, accessories

Volvo Car Corporation Gothenburg, Sweden

---

## Information

1

Read through all of the instructions before starting installation.

Notifications and warning texts are for your safety and to minimise the risk of something breaking during installation.

Ensure that all tools stated in the instructions are available before starting installation.

Certain steps in the instructions are only presented in the form of images. Explanatory text is also given for more complicated steps.

In the event of any problems with the instructions or the accessory, contact your local Volvo dealer.

---

## Further information

2



IMG-400007

### Note!

If a pending accessories installation include the removing and replacing of the bumper, this installation should be carried out first.

When installing, the car must retain a temperature of 20 degrees C.

After installation, the car must not be washed for 48 hours

---

## Color symbols

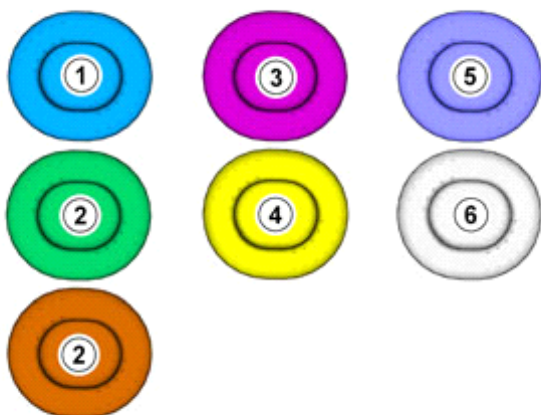
---



# Installation instructions, accessories

Volvo Car Corporation Gothenburg, Sweden

3



IMG-363036

## Note!

This colour chart displays (in colour print and electronic version) the importance of the different colours used in the images of the method steps.

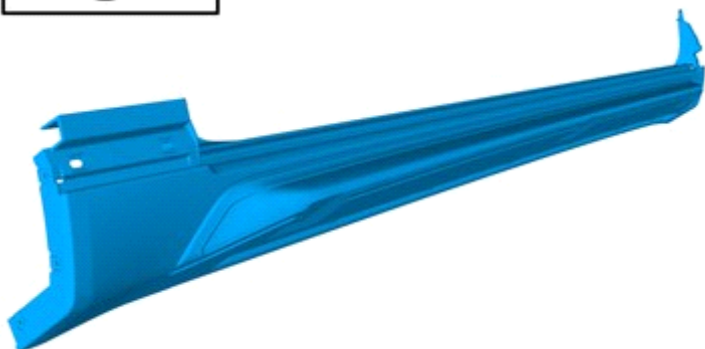
1. Used for focused component, the component with which you will do something.
2. Used as extra colors when you need to show or differentiate additional parts.
3. Used for attachments that are to be removed/installed. May be screws, clips, connectors, etc.
4. Used when the component is not fully removed from the vehicle but only hung to the side.
5. Used for standard tools and special tools.
6. Used as background color for vehicle components.

---

**Applies to unpainted component**

---

4



IMG-403830

---

**Vehicles with Parking assistance pilot**

---

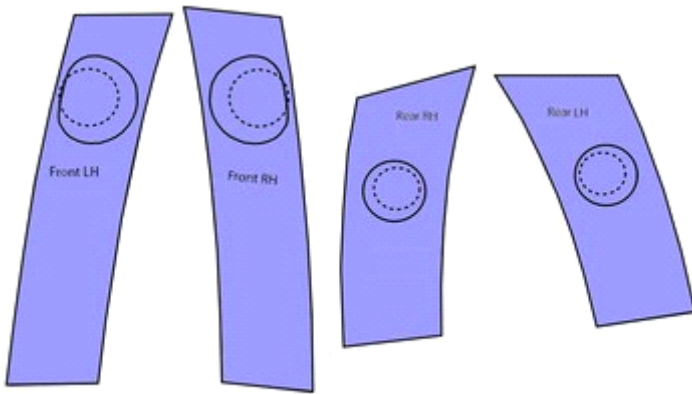


# Installation instructions, accessories

Volvo Car Corporation Gothenburg, Sweden

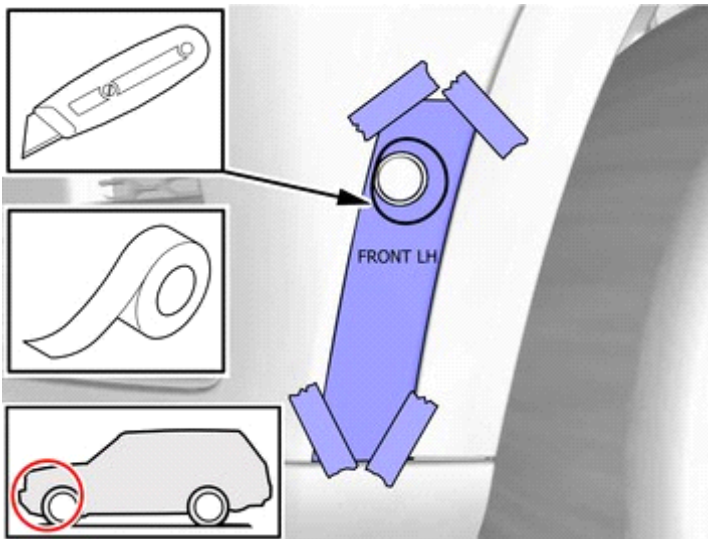
5

Print templates from Service Product Journal (SPJ) 30519



IMG-407652

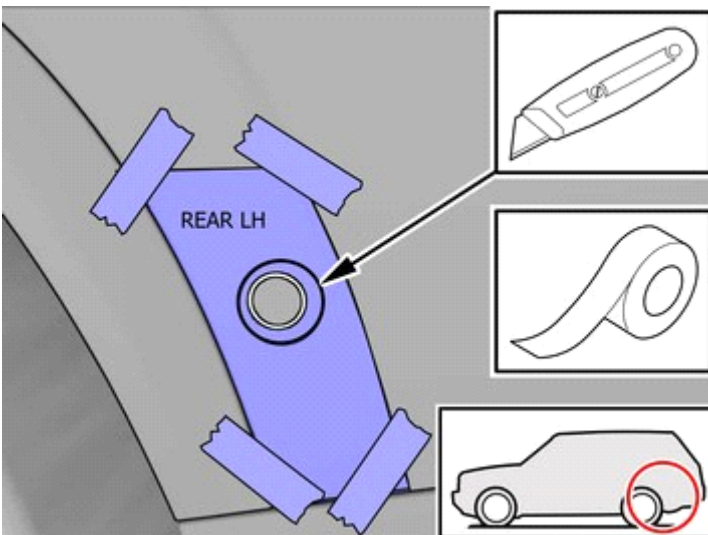
6



IMG-407831

1. Secure the template with tape.
  2. Scribe/mark up
  3. Remove the tape.
- Repeat on the other side.

7



IMG-407851

1. Secure the template with tape.
  2. Scribe/mark up
  3. Remove the tape.
- Repeat on the other side.



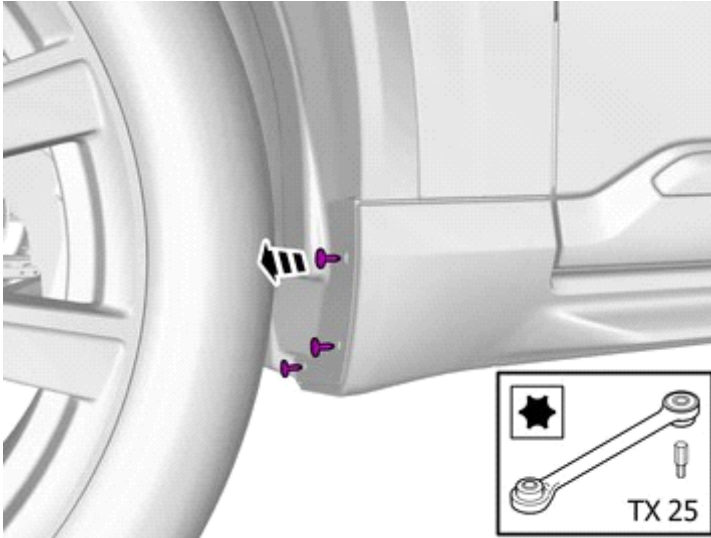
# Installation instructions, accessories

Volvo Car Corporation Gothenburg, Sweden

All vehicles

## Removal

8



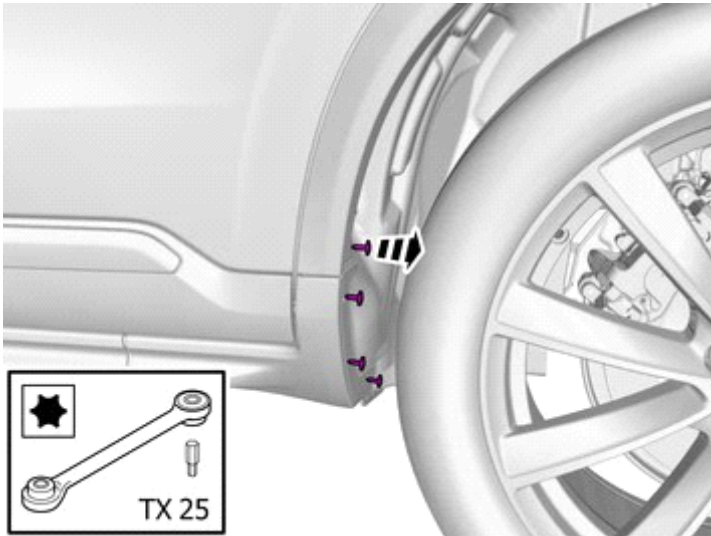
IMG-382894

### Note!

The screws are to be reused.

Remove the screws.

9



IMG-382895

### Note!

The screws are to be reused.

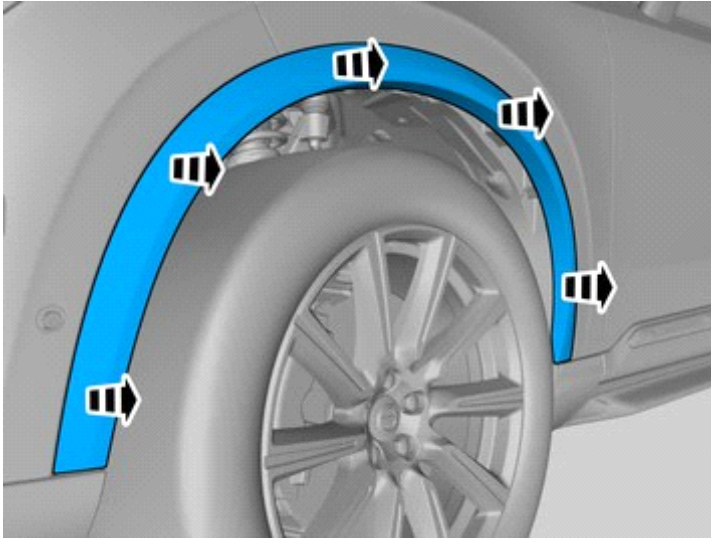
Remove the screws.



# Installation instructions, accessories

Volvo Car Corporation Gothenburg, Sweden

10

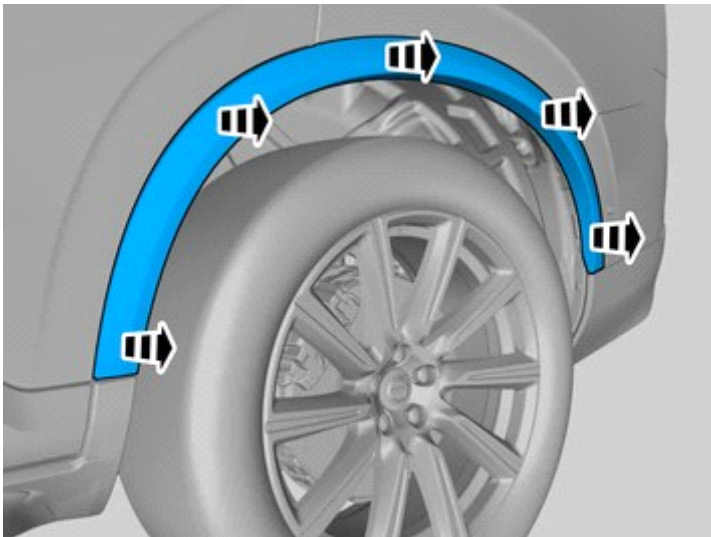


IMG-393050

Remove the marked part.

The part is not to be reused.

11

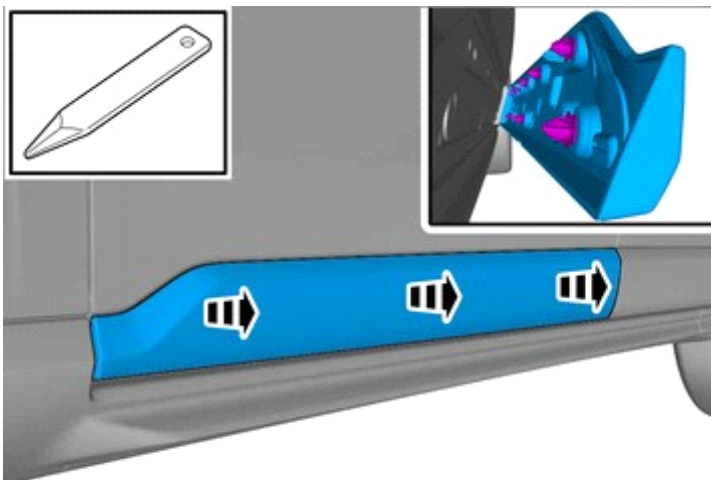


IMG-393051

Remove the marked part.

The part is not to be reused.

12



IMG-393060

Remove the marked part.

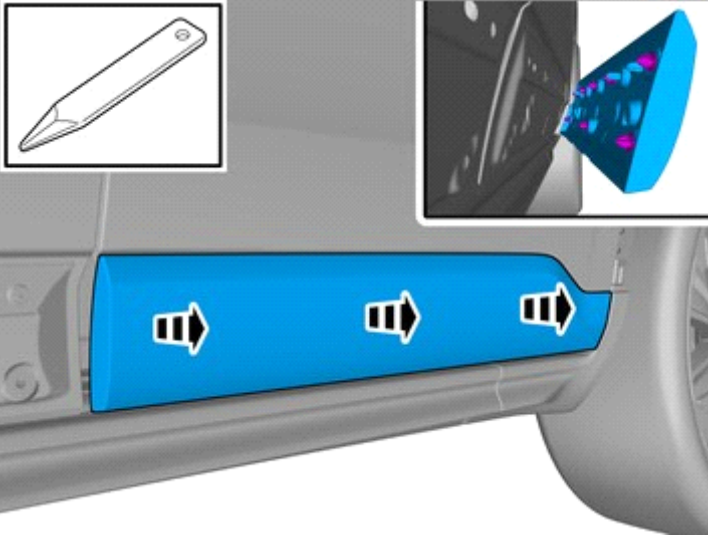




# Installation instructions, accessories

Volvo Car Corporation Gothenburg, Sweden

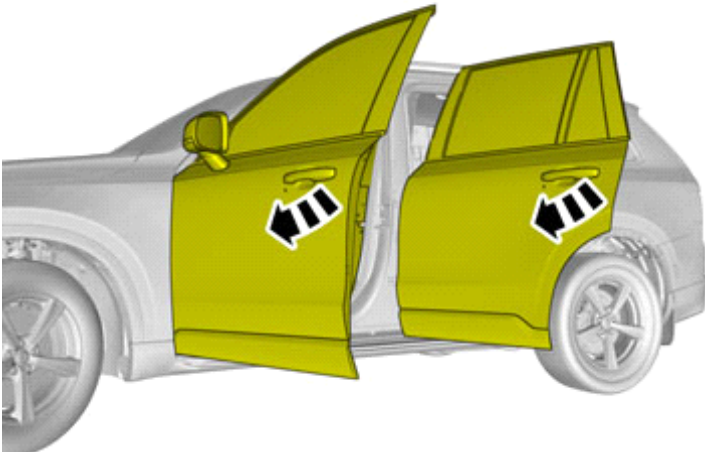
13



Remove the marked part.

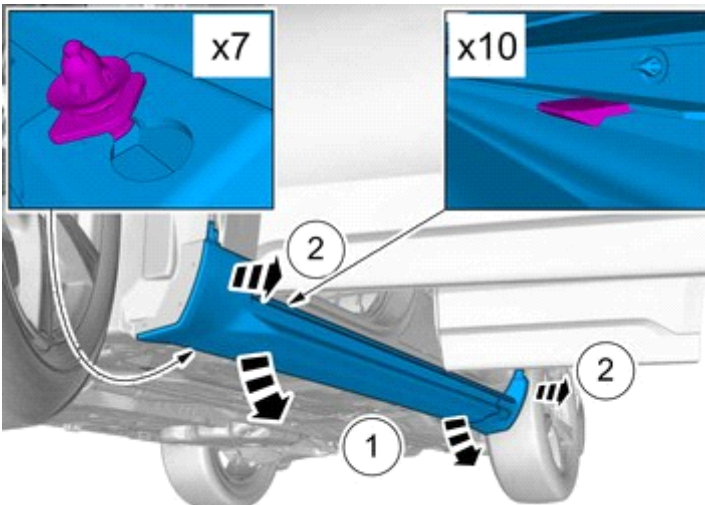
IMG-393062

14



IMG-382898

15



Remove the marked part.

The part is not to be reused.

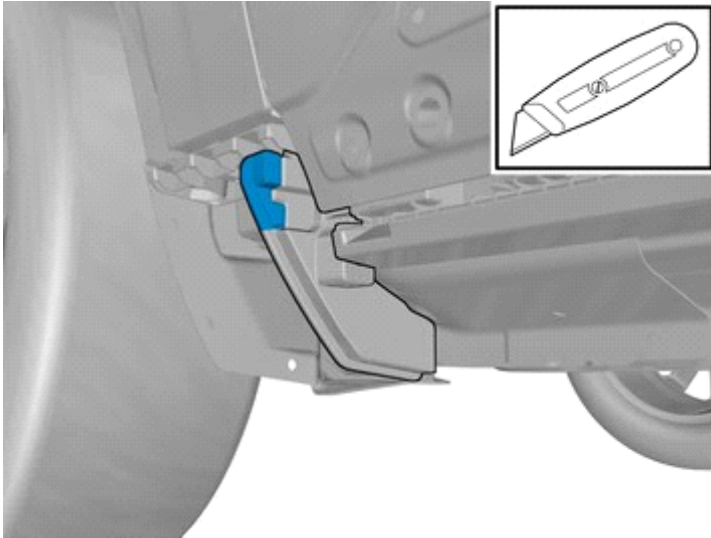
IMG-382932



# Installation instructions, accessories

Volvo Car Corporation Gothenburg, Sweden

16



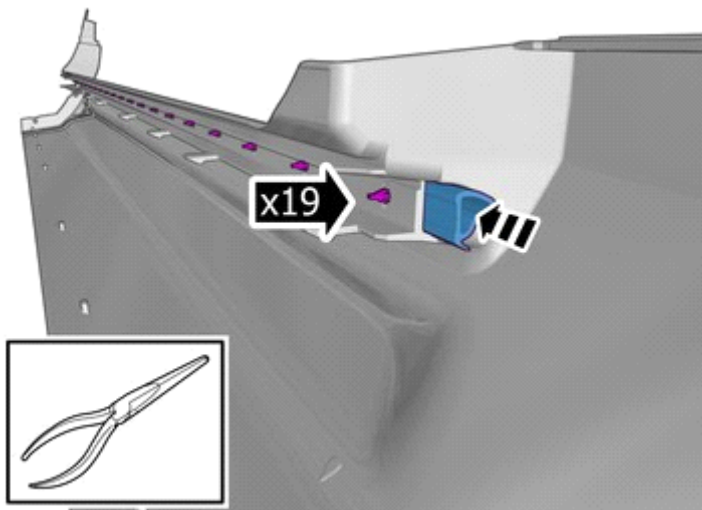
IMG-400990

**Caution!**

Cut carefully to avoid unintentional damage or personal injury.

Locate relevant marking.

17



IMG-382998

**Caution!**

The part is to be reused.

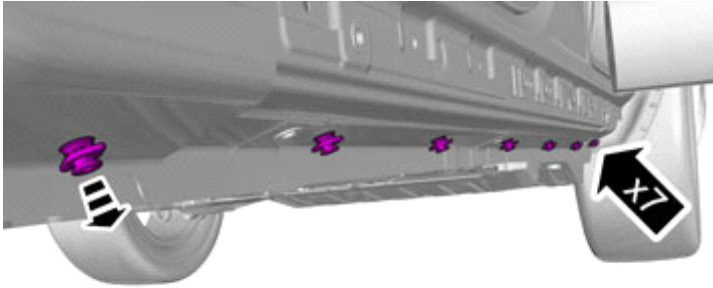
Remove the weatherstrip.



# Installation instructions, accessories

Volvo Car Corporation Gothenburg, Sweden

18



**Note!**  
Make sure that the mating faces are clean and free of foreign material.

**Note!**  
The clips consist of two parts.

Remove the clips.

IMG-382935

---

## Vehicles with Parking assistance pilot

19



Remove the screws.

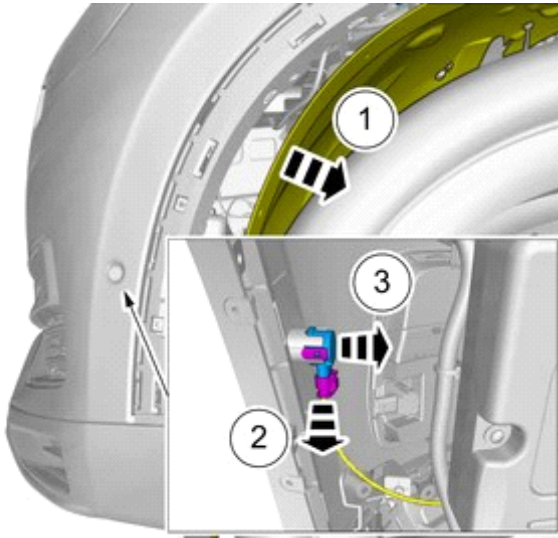
IMG-383588



# Installation instructions, accessories

Volvo Car Corporation Gothenburg, Sweden

20



IMG-383613

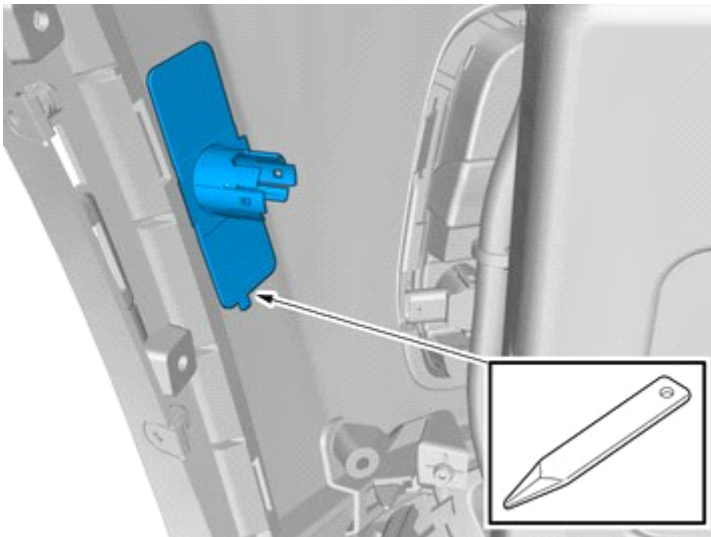
Fold the wing liner to one side.

Disconnect the connector.

Remove the part carefully

The part is to be reused.

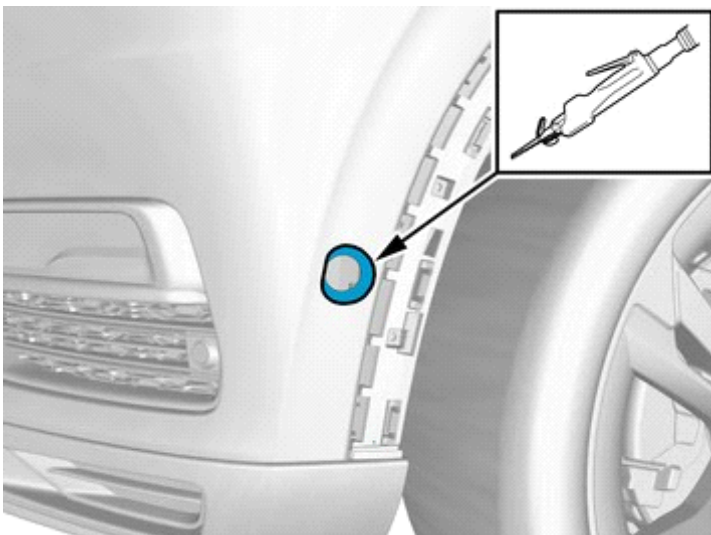
21



IMG-383638

Remove the marked part.

22



IMG-407875

Remove the marked part.

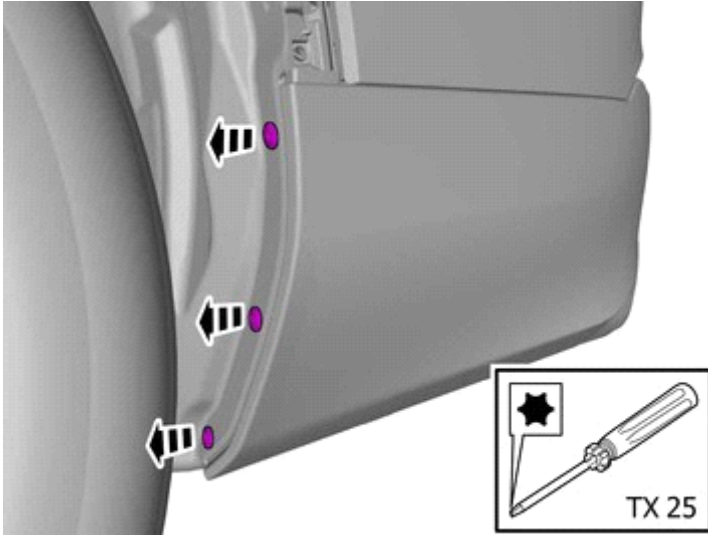
**Use:** Air-powered keyhole saw



# Installation instructions, accessories

Volvo Car Corporation Gothenburg, Sweden

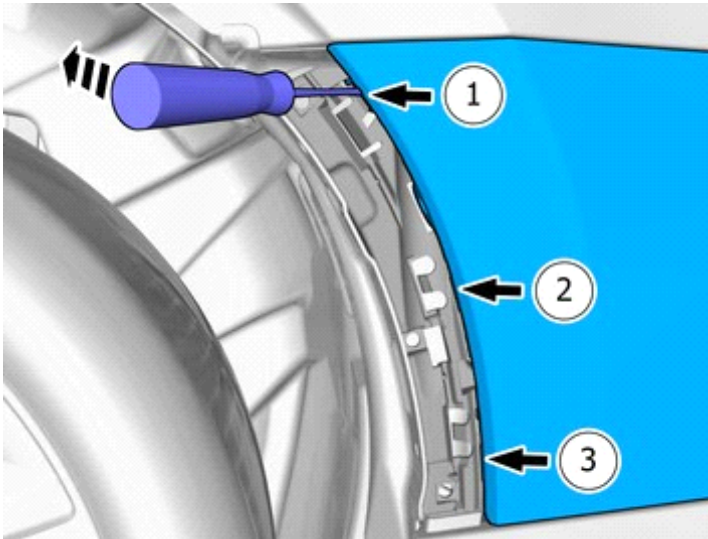
23



IMG-393176

Remove the screws.

24

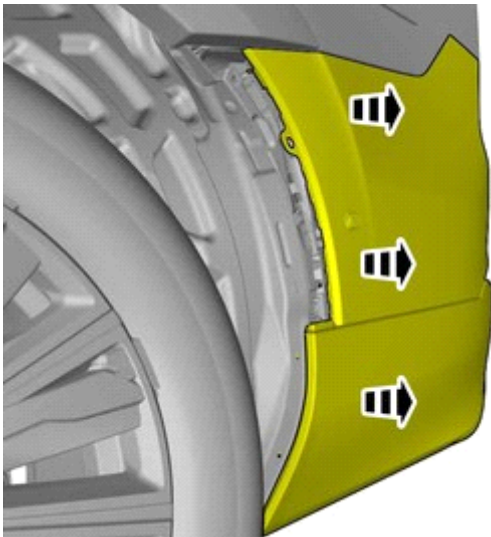


IMG-401258

Release the catches.

Remove the part carefully

25



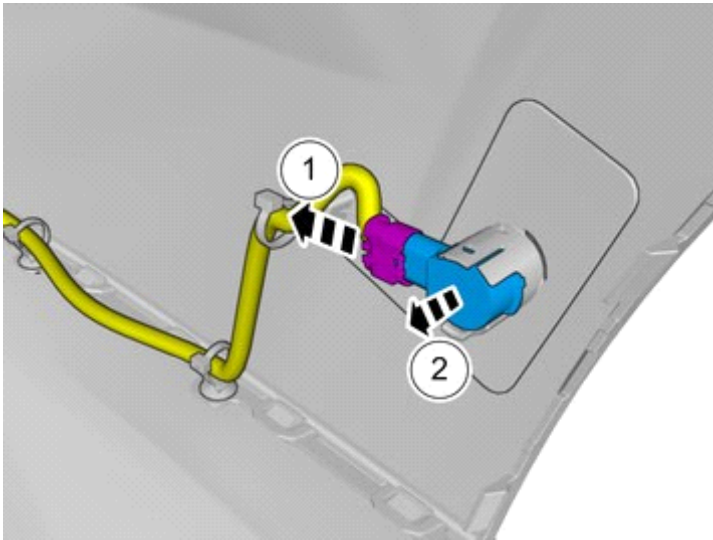
IMG-393178



# Installation instructions, accessories

Volvo Car Corporation Gothenburg, Sweden

26

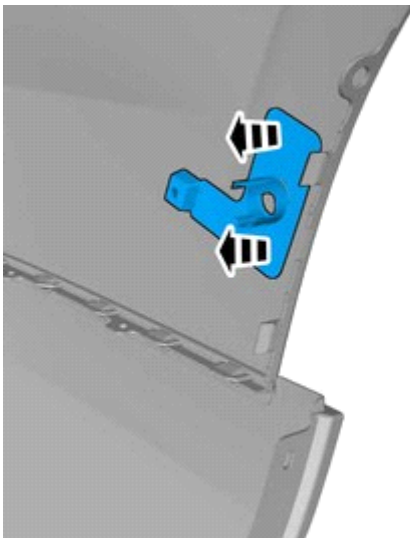


IMG-383440

Disconnect the connector.

Remove the marked part.

27



IMG-393180

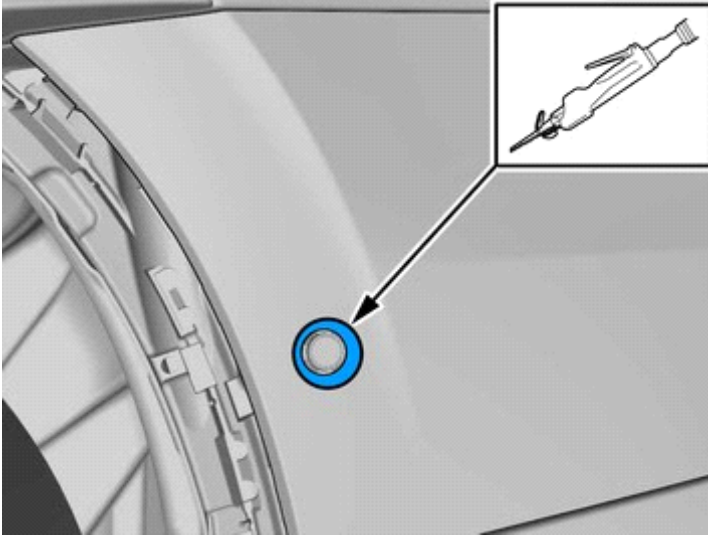
Remove the marked part.



# Installation instructions, accessories

Volvo Car Corporation Gothenburg, Sweden

28



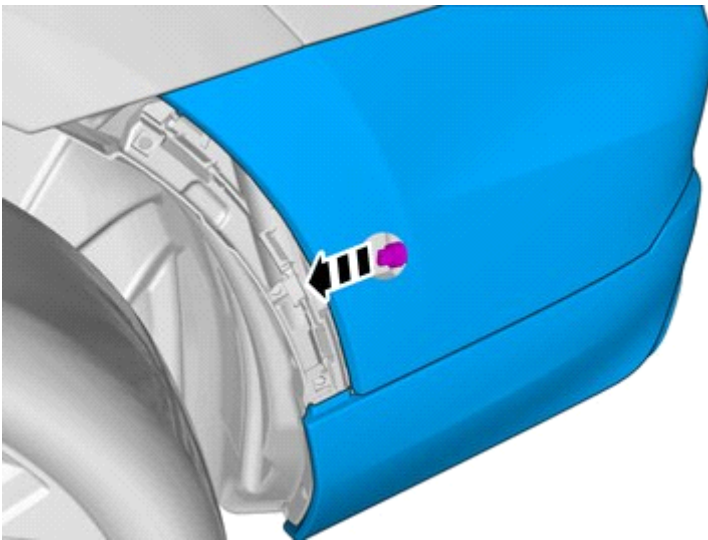
IMG-407926

Remove the marked part.

**Use:** Air-powered keyhole saw

## Installation

29



IMG-383483

Locate the connector.

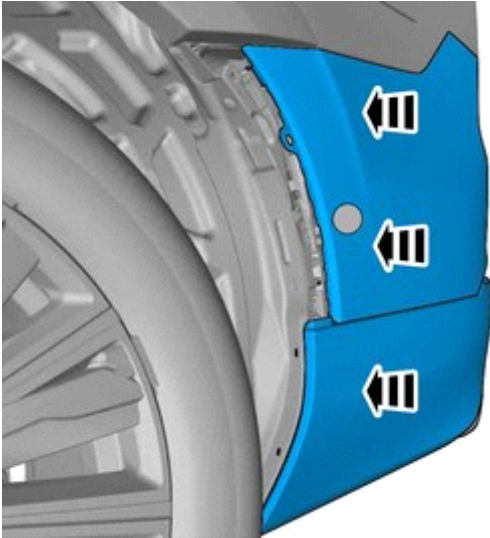
Pull the wiring through.



# Installation instructions, accessories

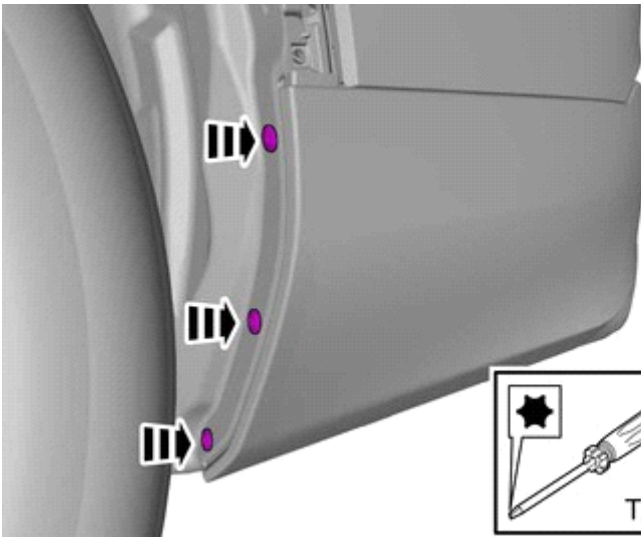
Volvo Car Corporation Gothenburg, Sweden

30



IMG-393179

31



IMG-393177

Reinstall the screws.

All vehicles

Accessory installation



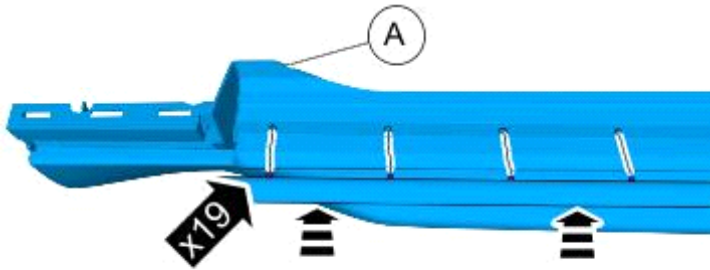


# Installation instructions, accessories

Volvo Car Corporation Gothenburg, Sweden

32

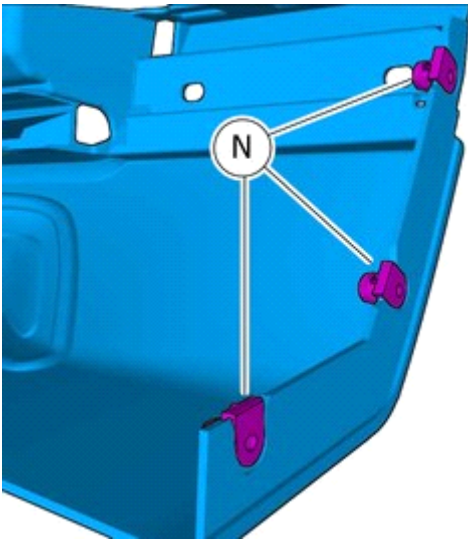
Reinstall the weatherstrip.



IMG-383287

33

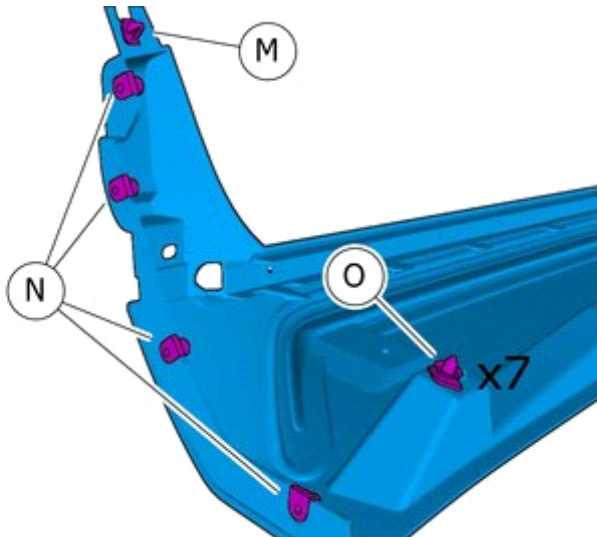
Install the clip(s).



IMG-393630

34

Install the clip(s).



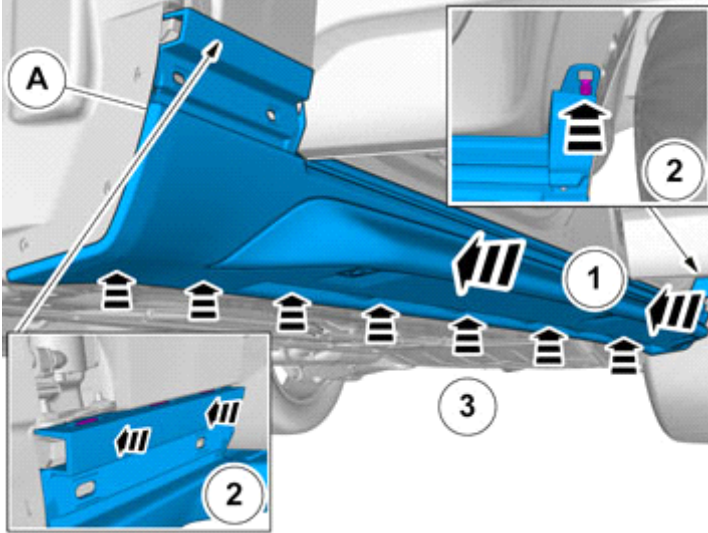
IMG-393634



# Installation instructions, accessories

Volvo Car Corporation Gothenburg, Sweden

35



IMG-383292

**Caution!**

Make sure not to damage painted surfaces.

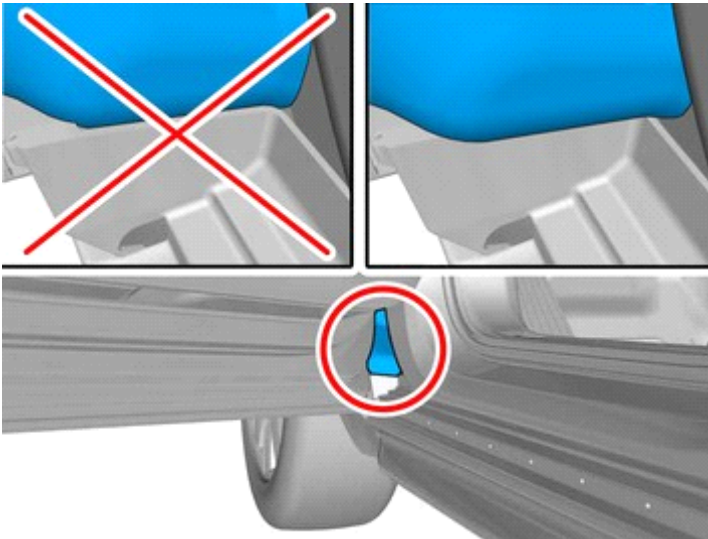
**Note!**

This step is easier with two people.

Install component that comes with the accessory kit.

Use hands only.

36

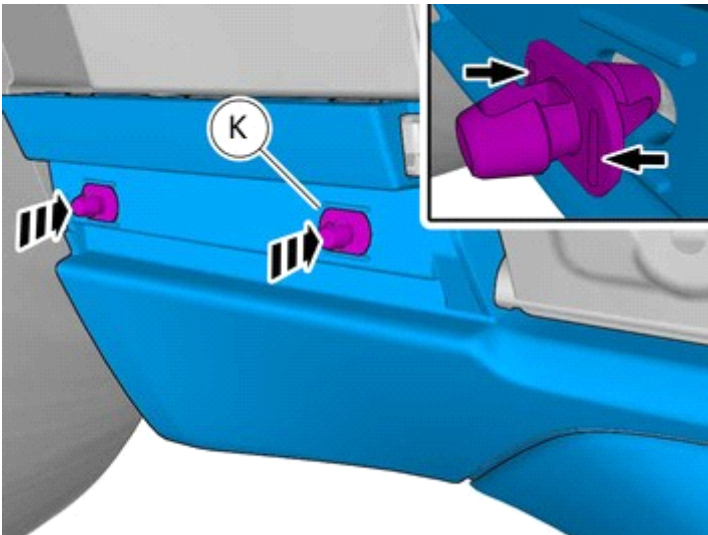


IMG-411835

**Note!**

Note the position.

37



IMG-393275

**Note!**

Note the position.

Install component that comes with the accessory kit.

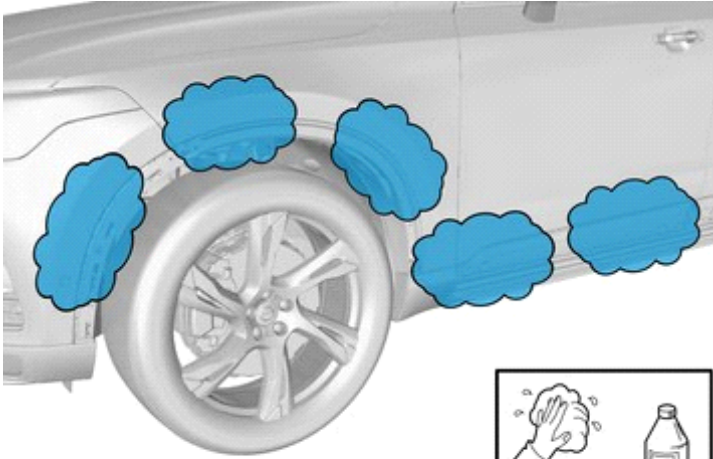
Install the clips as illustrated.



# Installation instructions, accessories

Volvo Car Corporation Gothenburg, Sweden

38

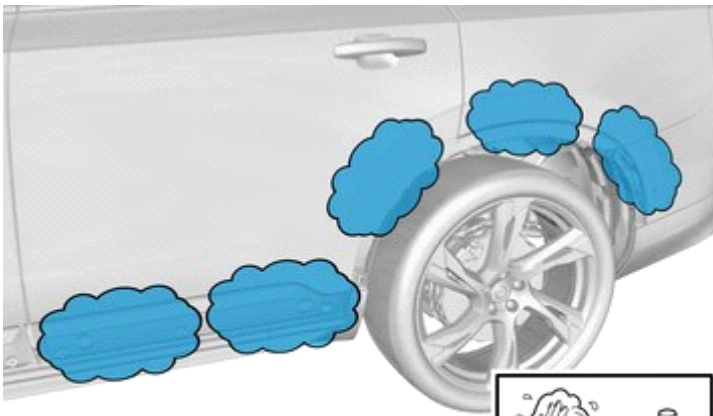


IMG-394588

Clean the surfaces.

**Use:** 1161721, Cleaning agent

39



IMG-394598

Clean the surfaces.

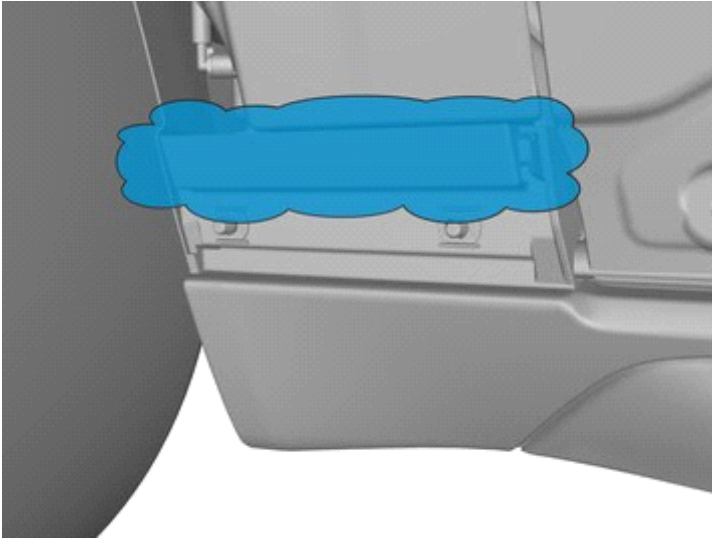
**Use:** 1161721, Cleaning agent



# Installation instructions, accessories

Volvo Car Corporation Gothenburg, Sweden

40

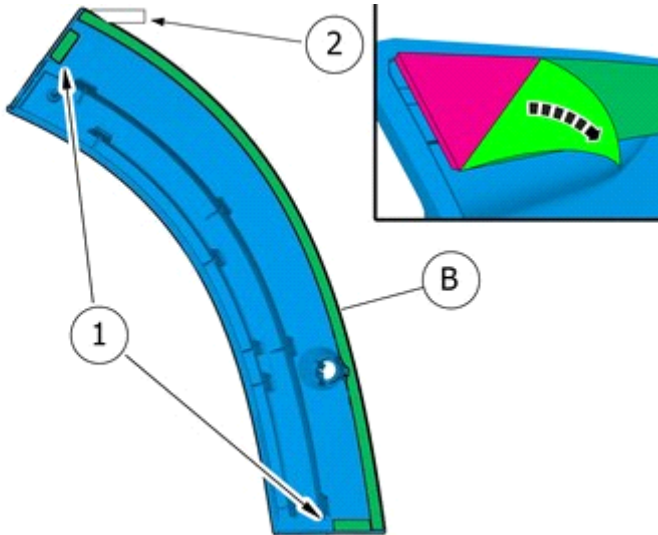


IMG-397767

Clean the surface.

**Use:** 1161721, Cleaning agent

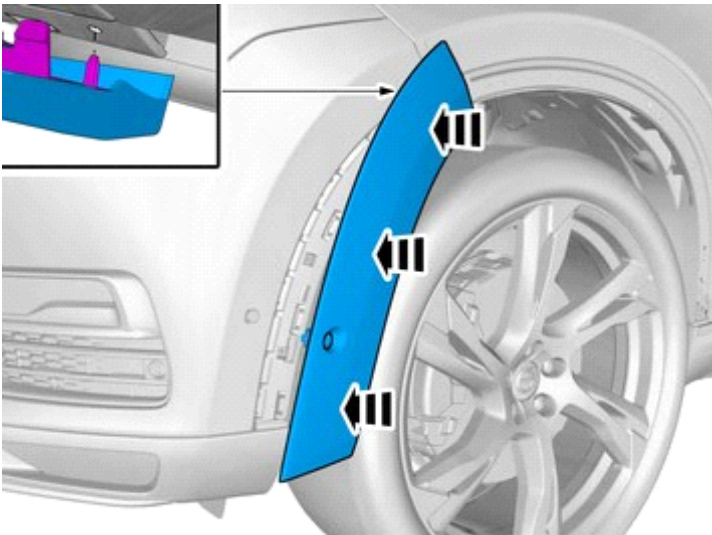
41



IMG-393276

1. Remove the protective film.
2. Fold the protective film forward

42



IMG-393311

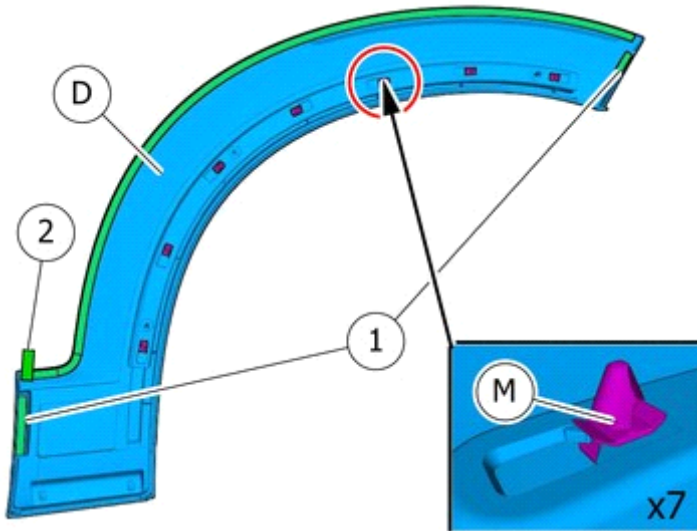
Install component that comes with the accessory kit.



# Installation instructions, accessories

Volvo Car Corporation Gothenburg, Sweden

43



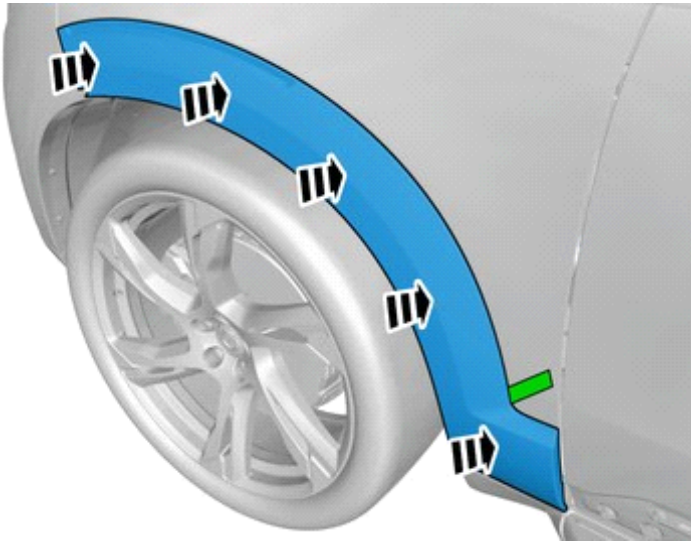
IMG-393286

Install component that comes with the accessory kit.

Install the clip(s).

1. Remove the protective film.
2. Fold the protective film forward

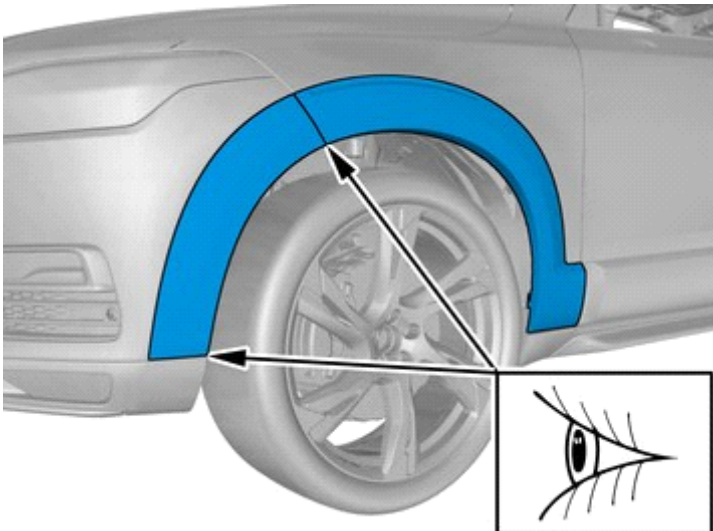
44



IMG-400452

Ensure that all clips engage.

45



IMG-400362

**Note!**

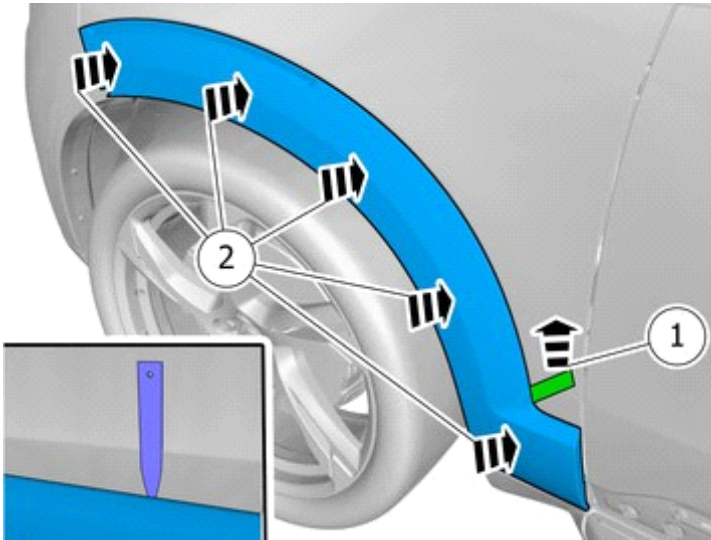
Adjust the position of the components to create even spaces.



# Installation instructions, accessories

Volvo Car Corporation Gothenburg, Sweden

46



IMG-393285

**Note!**

Apply a pressure of 35 - 50 N/cm<sup>2</sup> for 2-3 seconds. This corresponds to a thumb pressure of 3.5 - 5 kg - test with scales first. If the palm of a hand or an application roller is used, remember that the larger surface requires greater force.

Remove the protective film.

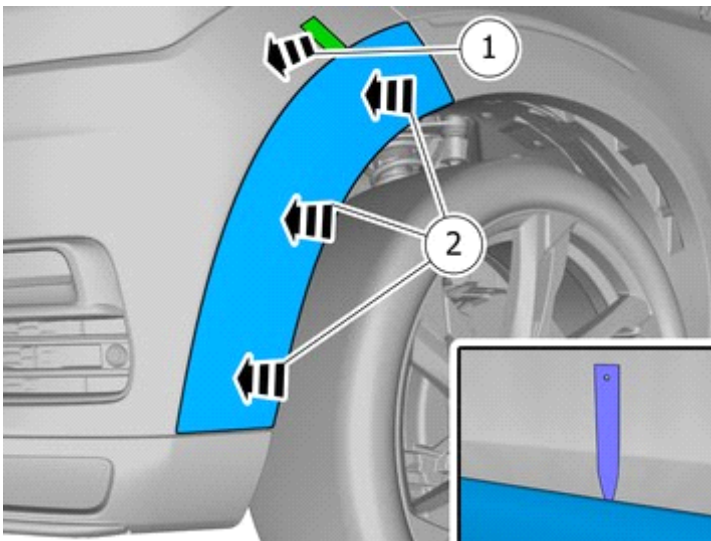
**Hint**

Press and apply pressure to the part over the tape for at least 20 seconds.

**Hint**

To ease removal of the protective film, use interior trim remover tool to lift the component just a bit.

47



IMG-397752

**Note!**

Apply a pressure of 35 - 50 N/cm<sup>2</sup> for 2-3 seconds. This corresponds to a thumb pressure of 3.5 - 5 kg - test with scales first. If the palm of a hand or an application roller is used, remember that the larger surface requires greater force.

Remove the protective film.

**Hint**

Press and apply pressure to the part over the tape for at least 20 seconds.

**Hint**

To ease removal of the protective film, use interior trim remover tool to lift the component just a bit.

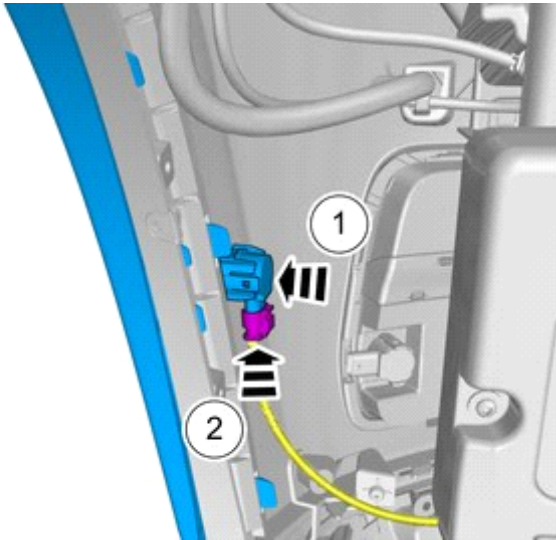
**Vehicles with Parking assistance pilot**



# Installation instructions, accessories

Volvo Car Corporation Gothenburg, Sweden

48



IMG-383720

Locate the pre-routed connector.

1. Reinstall the removed part.
2. Connect the connector.

49



IMG-383721

Reinstall the screws.

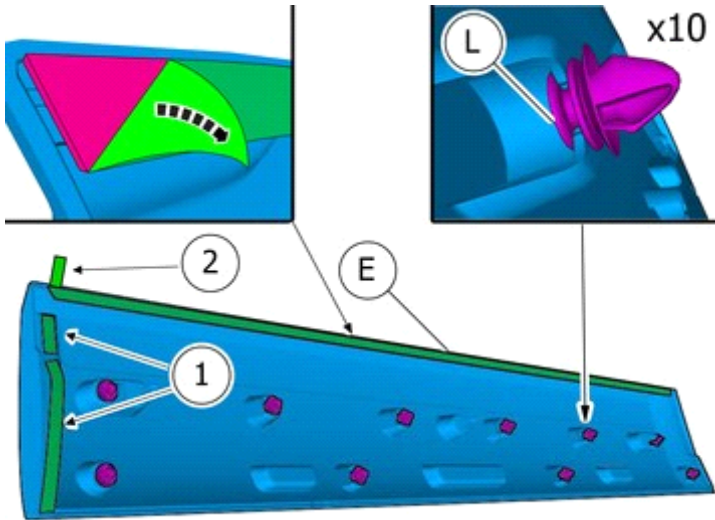
**All vehicles**



# Installation instructions, accessories

Volvo Car Corporation Gothenburg, Sweden

50



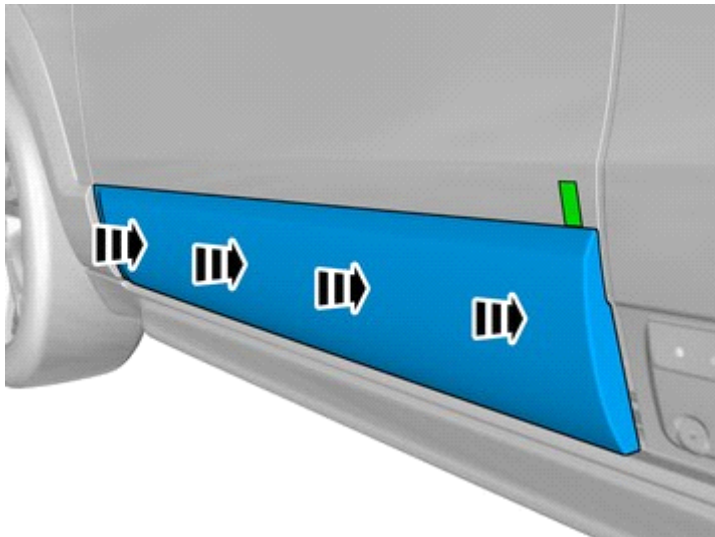
IMG-393287

Install component that comes with the accessory kit.

Install the clip(s).

1. Remove the protective film.
2. Fold the protective film forward

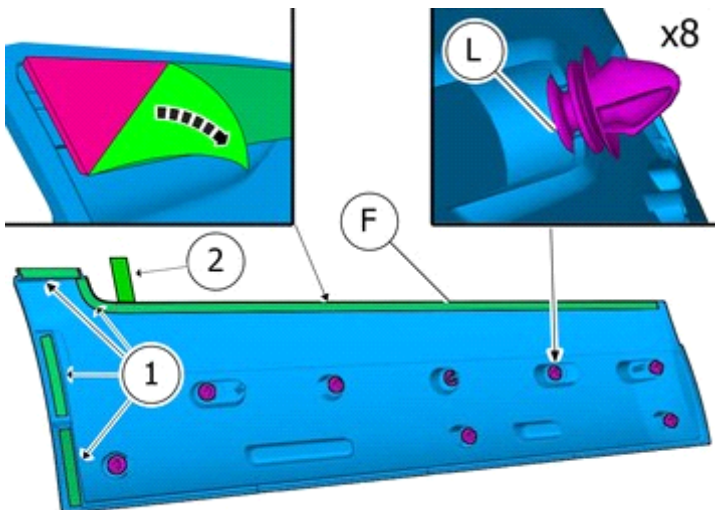
51



IMG-393294

Ensure that all clips engage.

52



IMG-393290

Install component that comes with the accessory kit.

Install the clip(s).

1. Remove the protective film.
2. Fold the protective film forward

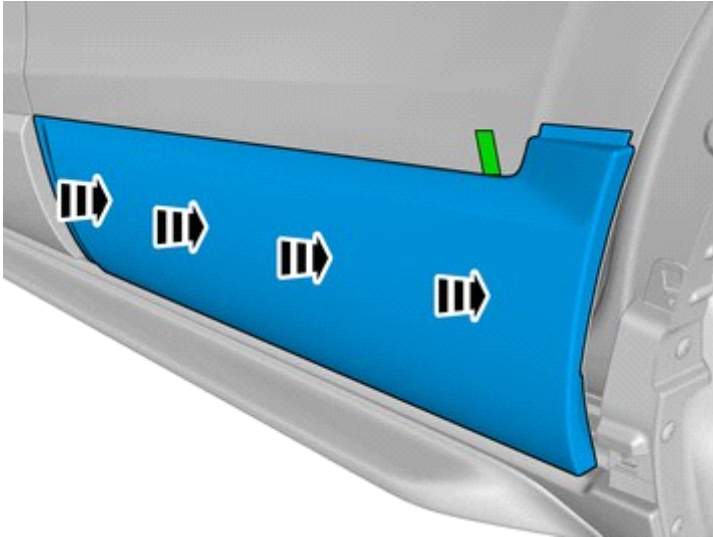




# Installation instructions, accessories

Volvo Car Corporation Gothenburg, Sweden

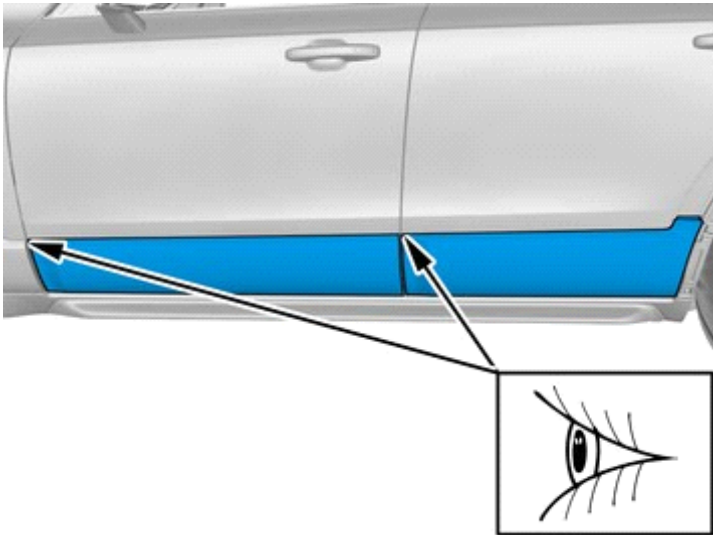
53



IMG-393297

Ensure that all clips engage.

54



IMG-400995

**Note!**

Adjust the position of the components to create even spaces.

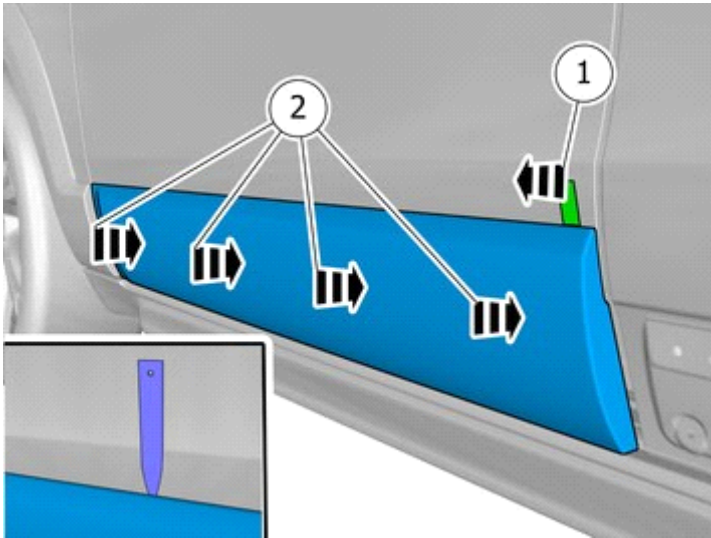
Adjust the component to a horizontal position.



# Installation instructions, accessories

Volvo Car Corporation Gothenburg, Sweden

55



IMG-400999

### Note!

Apply a pressure of 35 - 50 N/cm<sup>2</sup> for 2-3 seconds. This corresponds to a thumb pressure of 3.5 - 5 kg - test with scales first. If the palm of a hand or an application roller is used, remember that the larger surface requires greater force.

Remove the protective film.

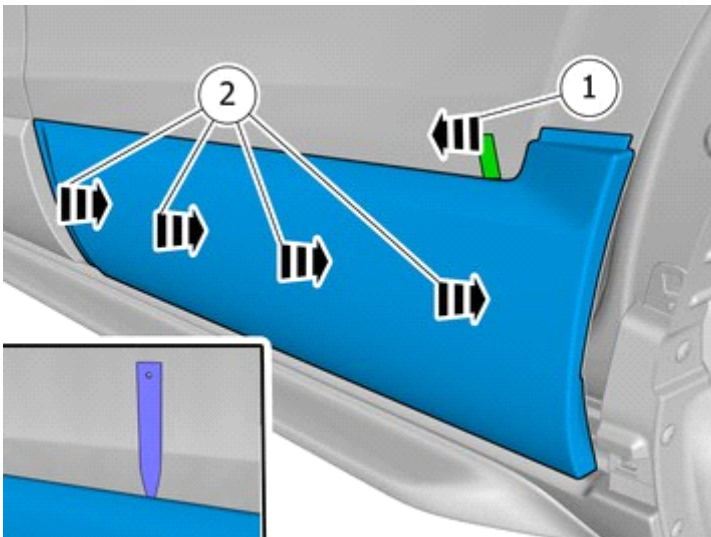
### Hint

Press and apply pressure to the part over the tape for at least 20 seconds.

### Hint

To ease removal of the protective film, use interior trim remover tool to lift the component just a bit.

56



IMG-401000

### Note!

Apply a pressure of 35 - 50 N/cm<sup>2</sup> for 2-3 seconds. This corresponds to a thumb pressure of 3.5 - 5 kg - test with scales first. If the palm of a hand or an application roller is used, remember that the larger surface requires greater force.

Remove the protective film.

### Hint

Press and apply pressure to the part over the tape for at least 20 seconds.

### Hint

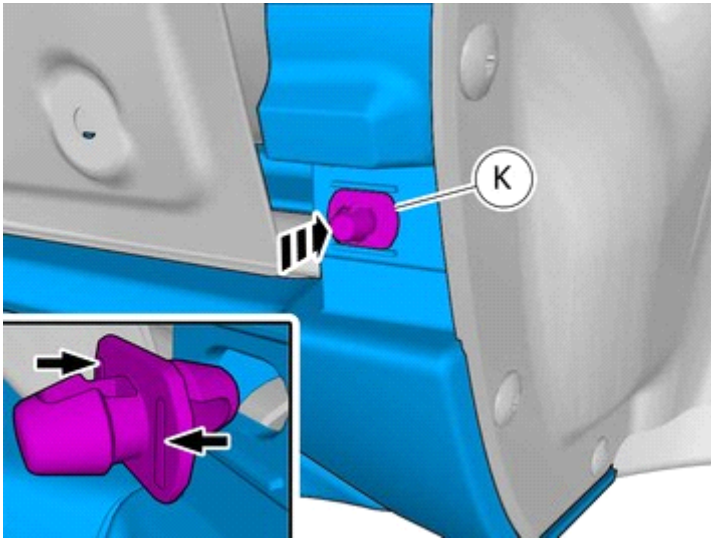
To ease removal of the protective film, use interior trim remover tool to lift the component just a bit.



# Installation instructions, accessories

Volvo Car Corporation Gothenburg, Sweden

57



IMG-393284

**Note!**

Note the position.

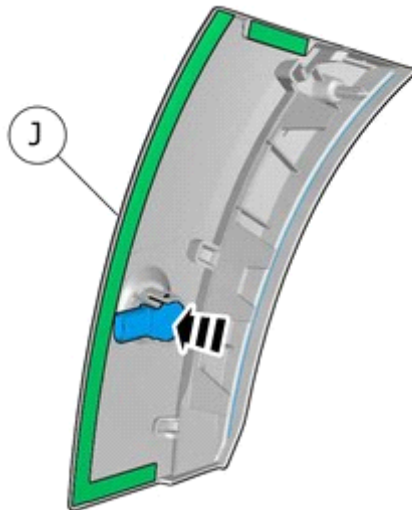
Install component that comes with the accessory kit.

Install the clips as illustrated.

---

### Vehicles with Parking assistance pilot

58



IMG-393299

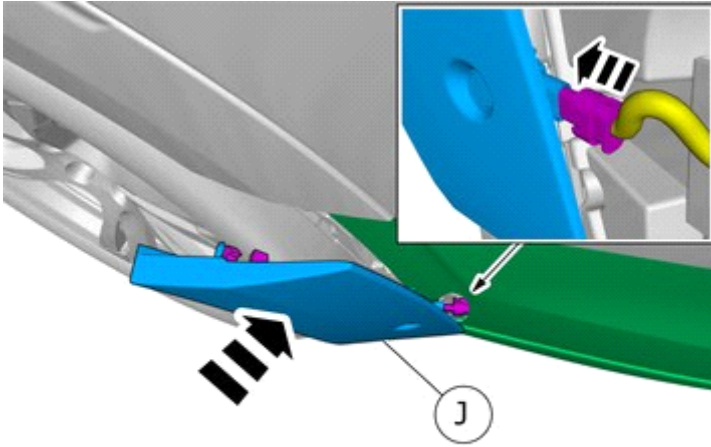
Reinstall the removed part.



# Installation instructions, accessories

Volvo Car Corporation Gothenburg, Sweden

59

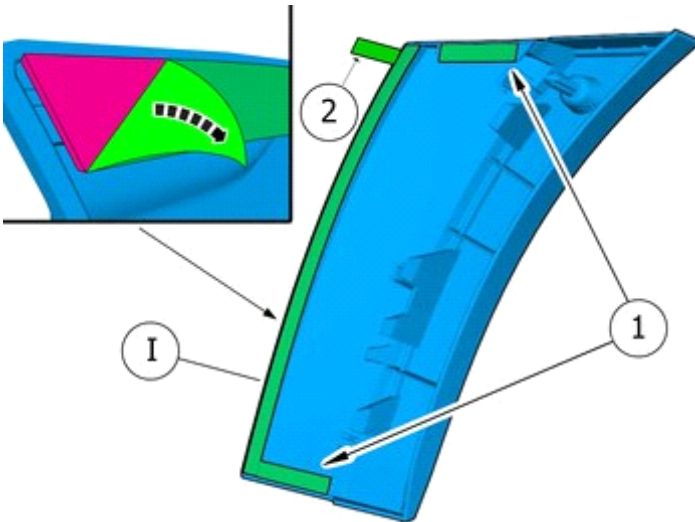


Connect the connector.

IMG-393301

## All vehicles

60



Install component that comes with the accessory kit.

1. Remove the protective film.
2. Fold the protective film forward

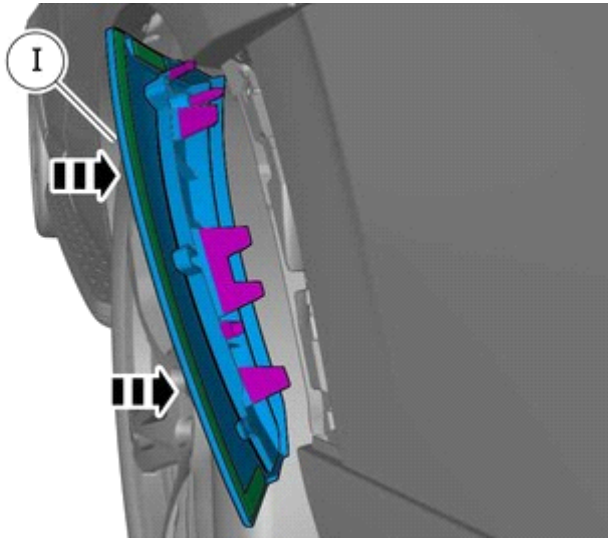
IMG-393295



# Installation instructions, accessories

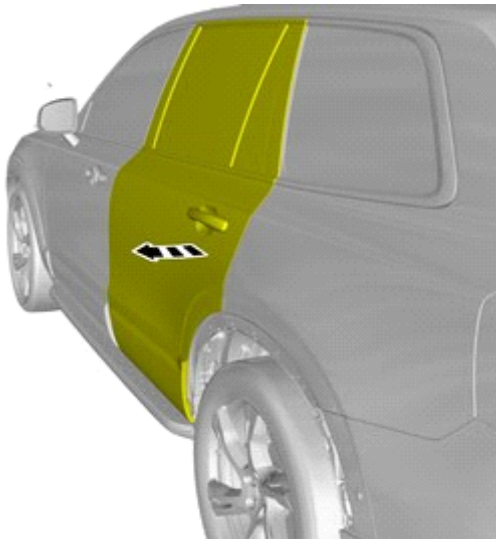
Volvo Car Corporation Gothenburg, Sweden

61



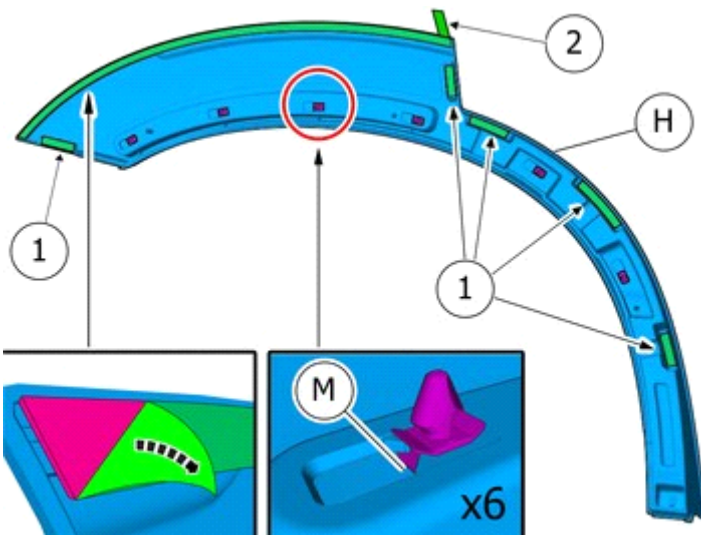
IMG-393296

62



IMG-393190

63



IMG-393292

Install component that comes with the accessory kit.

Install the clip(s).

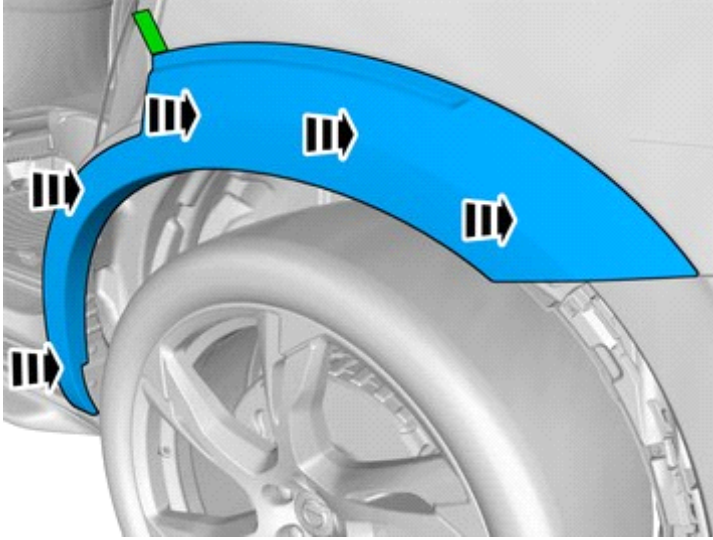
1. Remove the protective film.
2. Fold the protective film forward



# Installation instructions, accessories

Volvo Car Corporation Gothenburg, Sweden

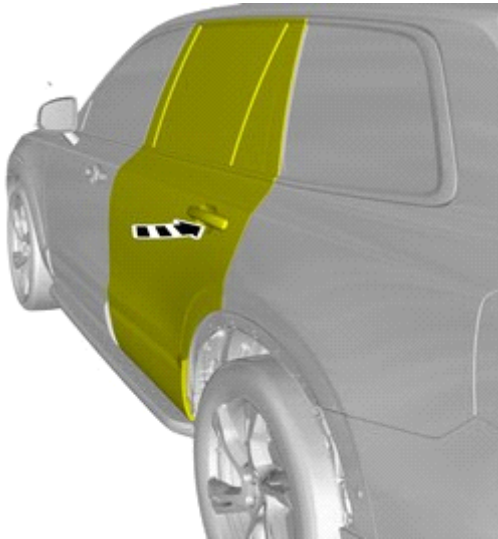
64



IMG-400451

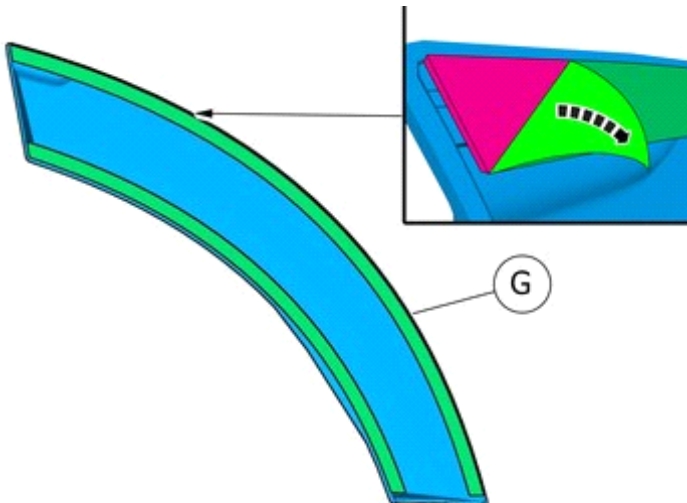
Ensure that all clips engage.

65



IMG-393192

66



Fold the protective film forward

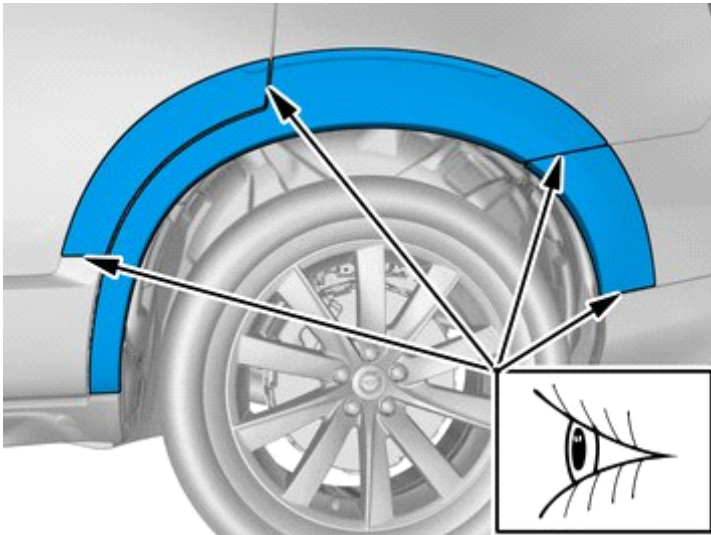
IMG-393293



# Installation instructions, accessories

Volvo Car Corporation Gothenburg, Sweden

67

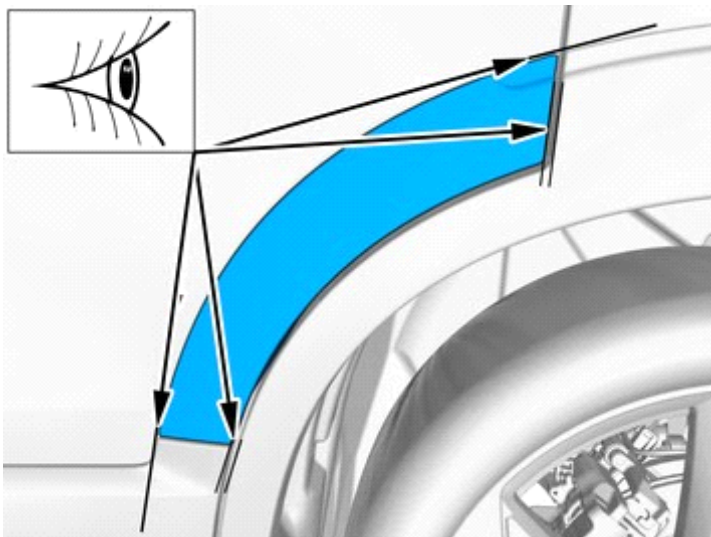


IMG-400356

**Note!**

Adjust the position of the components to create even spaces.

68



IMG-400627

**Note!**

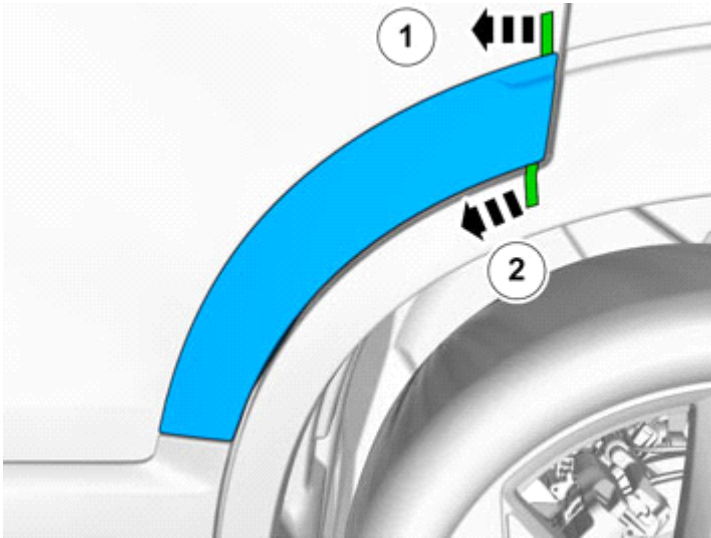
Adjust the position of the components to create even spaces.



# Installation instructions, accessories

Volvo Car Corporation Gothenburg, Sweden

69



IMG-383384

### Note!

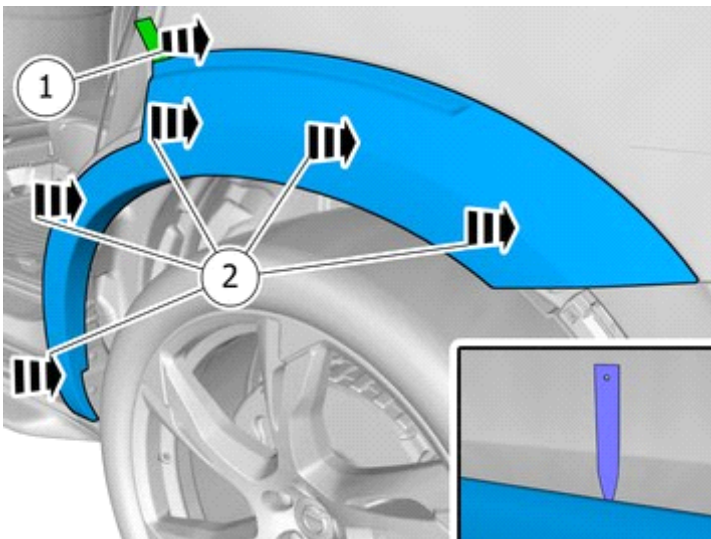
Apply a pressure of 35 - 50 N/cm<sup>2</sup> for 2-3 seconds. This corresponds to a thumb pressure of 3.5 - 5 kg - test with scales first. If the palm of a hand or an application roller is used, remember that the larger surface requires greater force.

Remove the protective film.

### Hint

Press and apply pressure to the part over the tape for at least 20 seconds.

70



IMG-393298

### Note!

Apply a pressure of 35 - 50 N/cm<sup>2</sup> for 2-3 seconds. This corresponds to a thumb pressure of 3.5 - 5 kg - test with scales first. If the palm of a hand or an application roller is used, remember that the larger surface requires greater force.

Remove the protective film.

### Hint

Press and apply pressure to the part over the tape for at least 20 seconds.

### Hint

To ease removal of the protective film, use interior trim remover tool to lift the component just a bit.

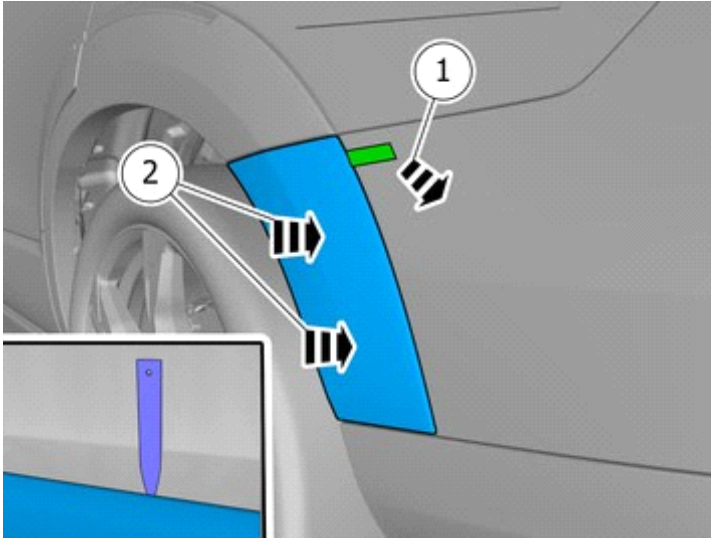




# Installation instructions, accessories

Volvo Car Corporation Gothenburg, Sweden

71



IMG-397760

### Note!

Apply a pressure of 35 - 50 N/cm<sup>2</sup> for 2-3 seconds. This corresponds to a thumb pressure of 3.5 - 5 kg - test with scales first. If the palm of a hand or an application roller is used, remember that the larger surface requires greater force.

Remove the protective film.

### Hint

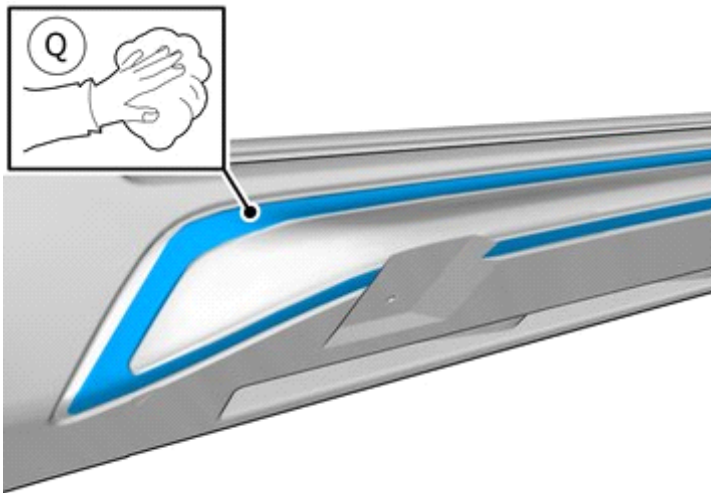
Press and apply pressure to the part over the tape for at least 20 seconds.

### Hint

To ease removal of the protective film, use interior trim remover tool to lift the component just a bit.

**Applies to unpainted component**

72



IMG-403845

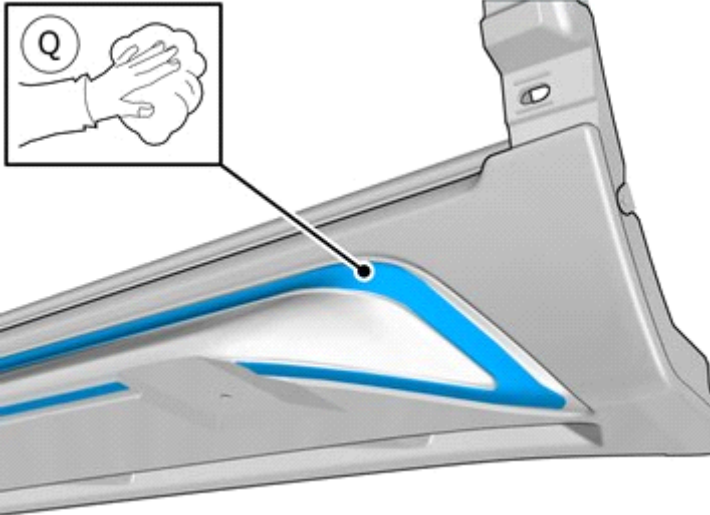
Apply a thin and even layer.



# Installation instructions, accessories

Volvo Car Corporation Gothenburg, Sweden

73

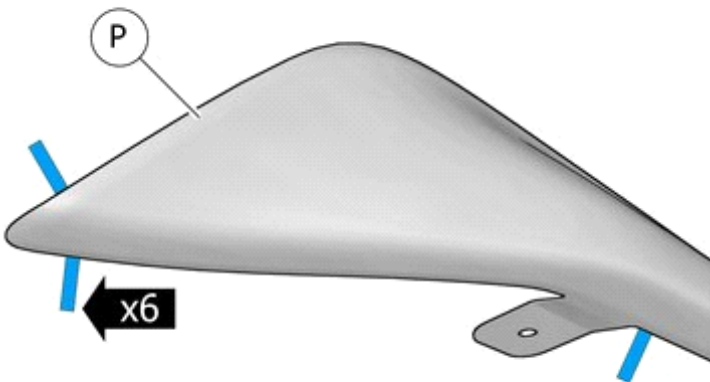


IMG-403848

Apply a thin and even layer.

74

Fold the protective film forward

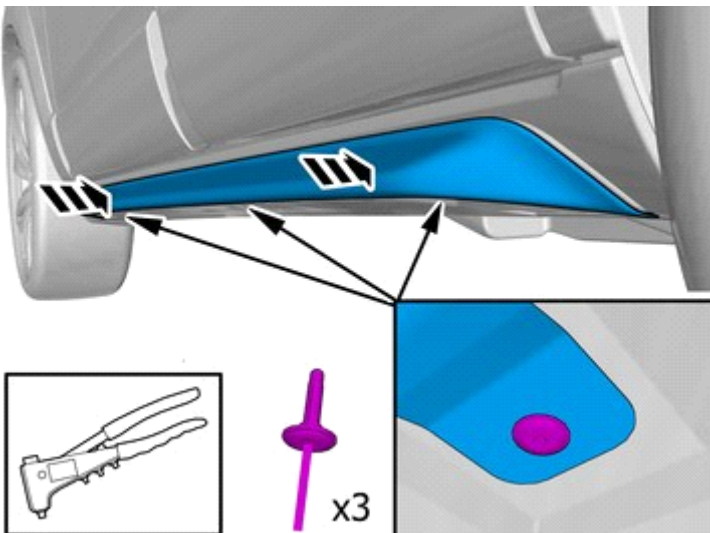


IMG-403855

75

Install component that comes with the accessory kit.

**Use:** Pop rivet pliers



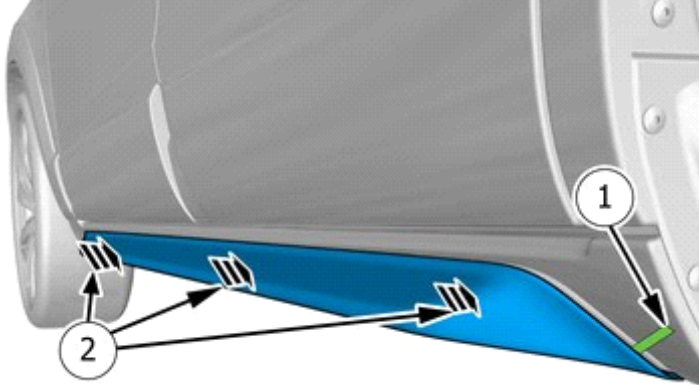
IMG-403909



# Installation instructions, accessories

Volvo Car Corporation Gothenburg, Sweden

76



IMG-404255

### Caution!

Make sure that equal pressure is applied to the full length of the component.

### Note!

Apply a pressure of 35 - 50 N/cm<sup>2</sup> for 2-3 seconds. This corresponds to a thumb pressure of 3.5 - 5 kg - test with scales first. If the palm of a hand or an application roller is used, remember that the larger surface requires greater force.

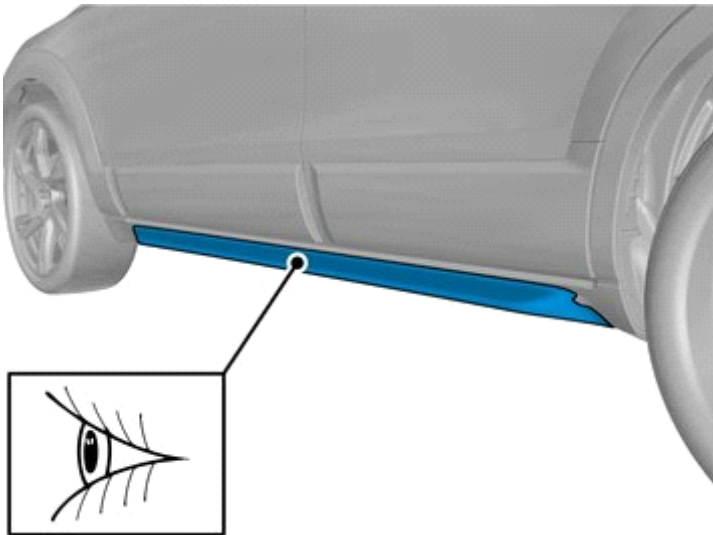
1. Remove the protective film.

2.

### Hint

Press and apply pressure to the part over the tape for at least 20 seconds.

77



IMG-400487

### Caution!

Make sure that the surface is clean and free of foreign material.

Wax the component indicated.



# Installation instructions, accessories

Volvo Car Corporation Gothenburg, Sweden

78

Repeat all method steps for the other side.

IMG-377070

---